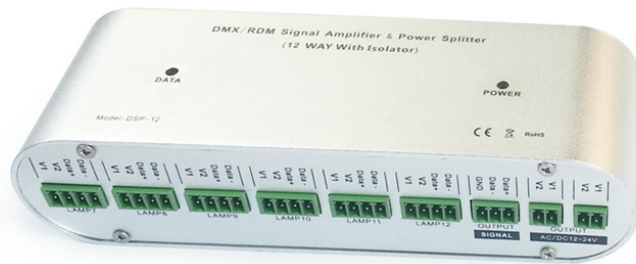


▶ FEATURES

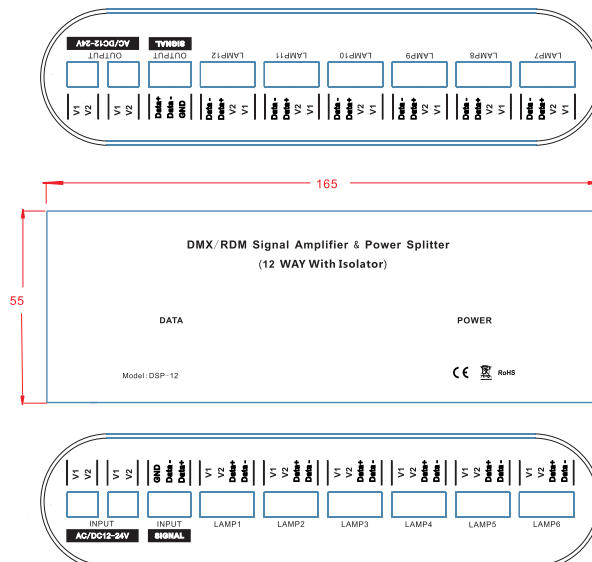
- Signal isolation and amplification
- power splitter
- 12 Way output connect 12 lights

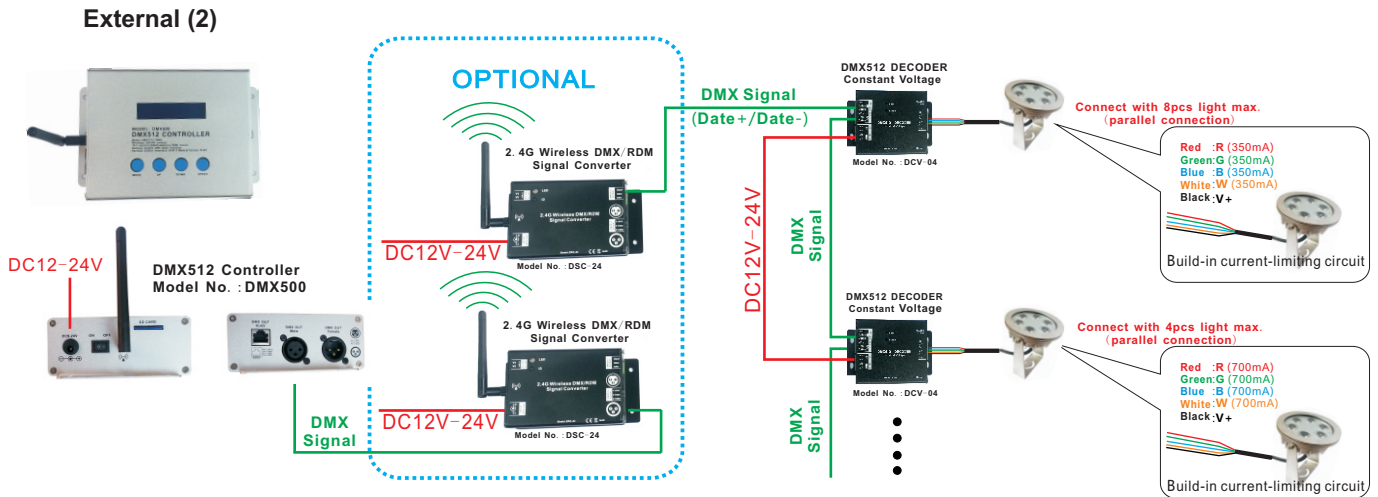
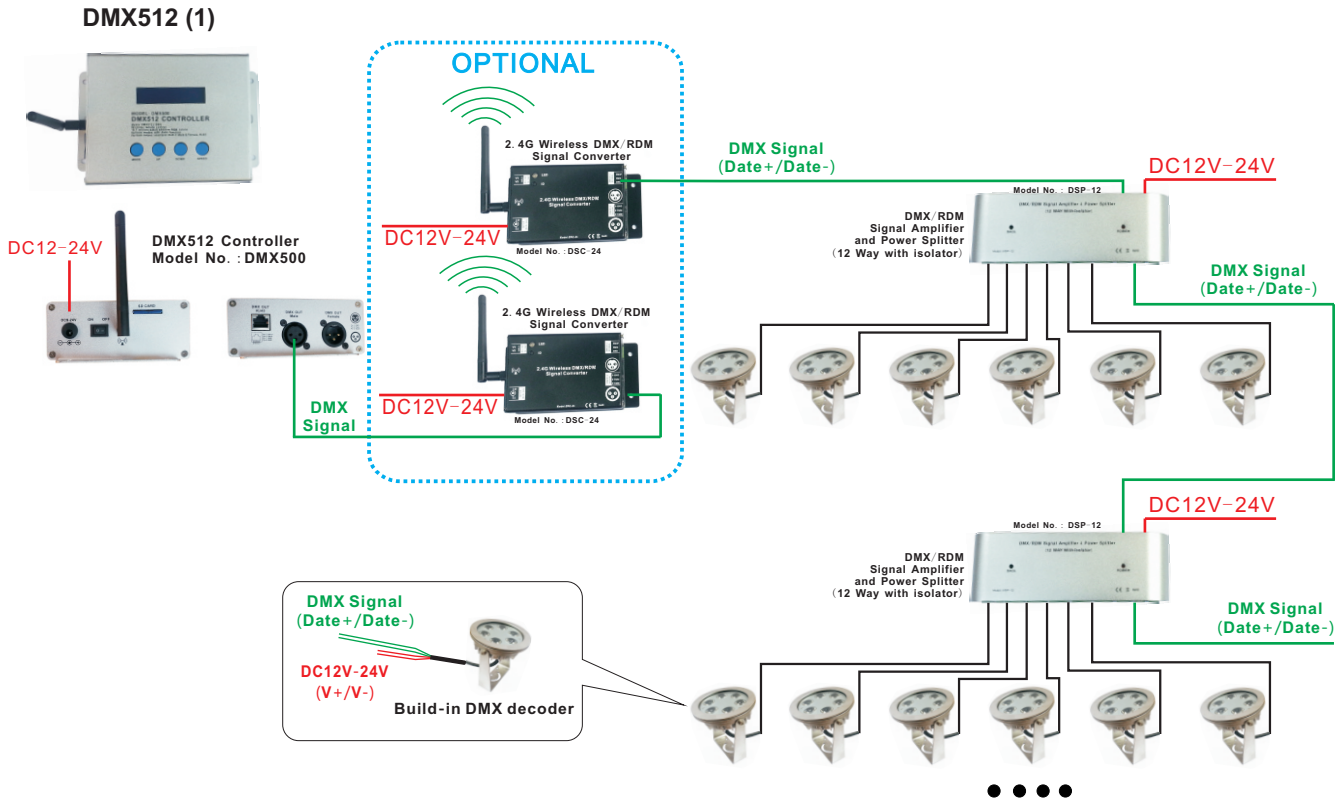


▶ SPECIFICATION

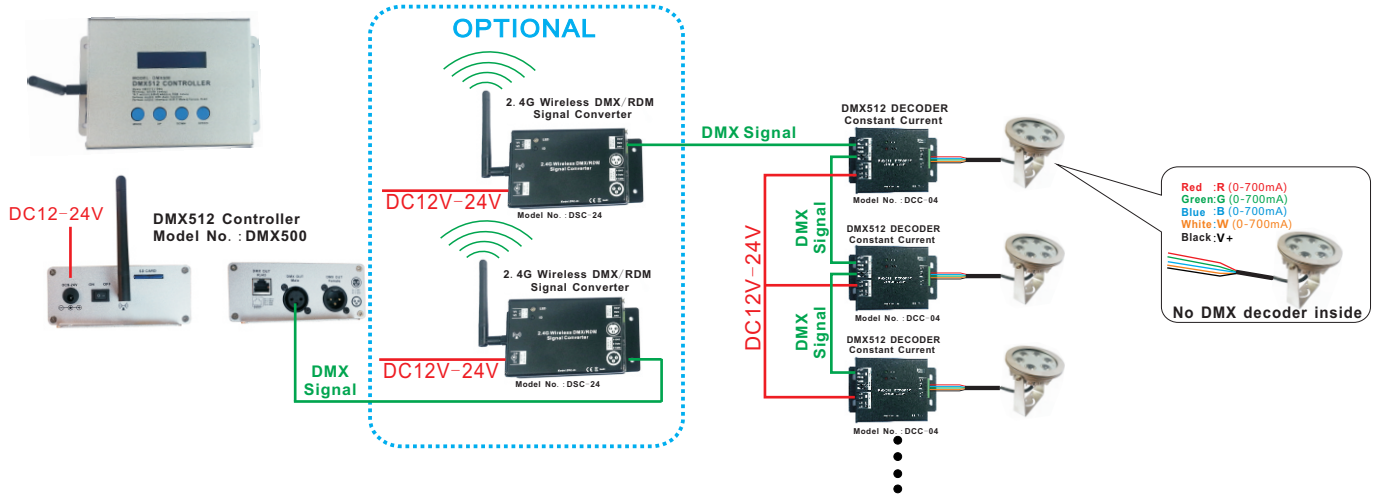
INPUT INTERFACE	1 x 2pin Green Terminals (DC12-24V) 1 x 3pin Green Terminals (DMX/RDM IN)
OUTPUT INTERFACE	1 x 2pin Green Terminals (DC12-24V) 1 x 3pin Green Terminals (DMX/RDM OUT) 12 x 4pin Green Terminals (connect 12 lights max.)
INPUT/OUTPUT SIGNAL	DMX/RDM
HOUSING	Sheet metal black powder finishing
INGRESS PROTECTION RATING	IP20
STORATION TEMPERATURE	-30°C-60°C
DIMENSION	L165XW55XH40mm
WIEGHT	300g

▶ PHYSICAL DIMENSIONS:





External (3)



DMX512 Signal Amplifier (4)

