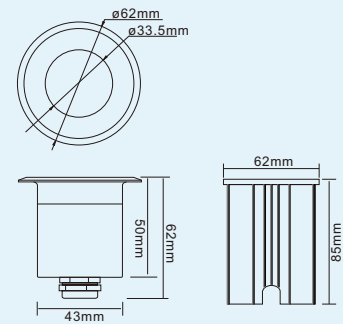




### Product Size



### Specification

<b>Model No.:</b>	RS-UG3W-M(88202)
<b>Front cover &amp; Housing:</b>	Stainless steel 304
<b>Dimensions:</b>	D62*H62mm
<b>Tempered Glass:</b>	6mm thickness
<b>LED chip:</b>	Cree
<b>LED Q'ty:</b>	1pc 3W LED
<b>Cable gland:</b>	Nickel plated brass M12
<b>Driver:</b>	Constant current driver
<b>Lens:</b>	Clear, Bead, Frosted
<b>Beam Angle Options:</b>	10° 30° 45° 60° 90°
<b>Power Cable:</b>	2*1.0mm <sup>2</sup> VDE rubber cable
<b>Protection Class:</b>	IP67
<b>Environment:</b>	Dry
<b>Mounting Hardware:</b>	Embedded System
<b>Net Weight:</b>	0.45kgs with 1m cable
<b>Lifetime:</b>	>50000H

### Order information

Item code	Color	Light source(w)	Line Way	Input Voltage (v)	Operating current (mA)	Consumption (w)	Luminous (lm)
88202.013.01	2700-3000K	1*3	V+/V-	DC12	250	3	140
88202.013.02	4000-4500K	1*3	V+/V-	DC12	250	3	148
88202.013.03	5000-5500K	1*3	V+/V-	DC12	250	3	155
88202.013.04	6000-6500K	1*3	V+/V-	DC12	250	3	155
88202.013.05	Red	1*3	V+/V-	DC12	166	2	35
88202.013.06	Green	1*3	V+/V-	DC12	250	3	90
88202.013.07	Blue	1*3	V+/V-	DC12	250	3	40
88202.013.08	Yellow	1*3	V+/V-	DC12	250	3	95

