

# Signal Amplifier

## ▶ FEATURES

- DMX amplifier after receiving DMX signal to the output voltage of the normal DMX signal
- Extend the DMX signal transmission distance
- Increase the DMX signal driving ability



## ▶ SPECIFICATION

### INPUT INTERFACE

1 x 4-wire rubber cable  
Brown wire: DC 12-24V (V+)  
blue wire: DC 12-24V (V-)  
Green wire: DMX in (D+)  
Black wire: DMX out (D-)

### OUTPUT INTERFACE

1 x 4-wire rubber cable  
Brown wire: DC 12-24V (V+)  
blue wire: DC 12-24V (V-)  
Green wire: DMX in (D+)  
Black wire: DMX out (D-)

### INPUT/OUTPUT SIGNAL

DMX

### HOUSING

White plastic

### INGRESS PROTECTION RATANG

IP68

### STORATION TEMPERATURE

-30°C -60°C

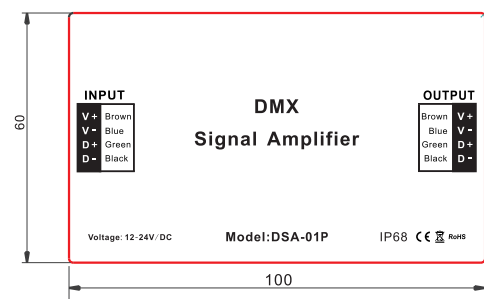
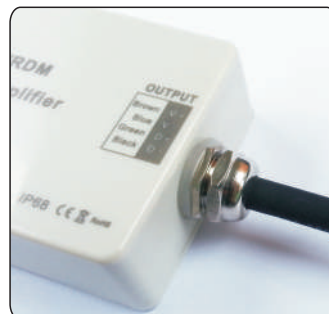
### DIMENSION

L100XW60XH30mm

### WIEGHT

300g

## ▶ PHYSICAL DIMENSIONS:

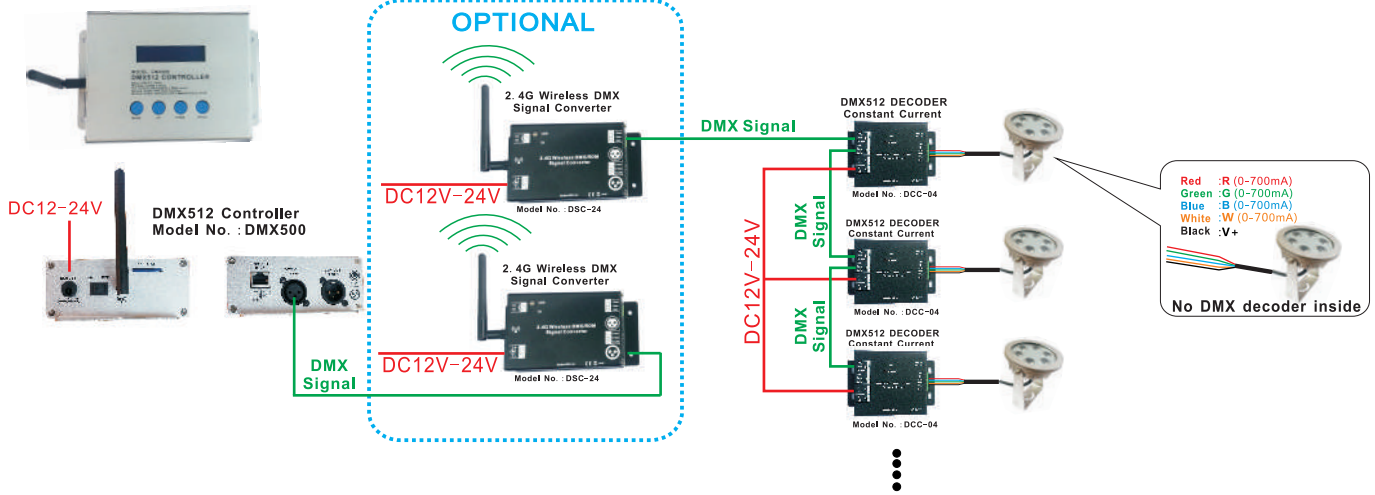




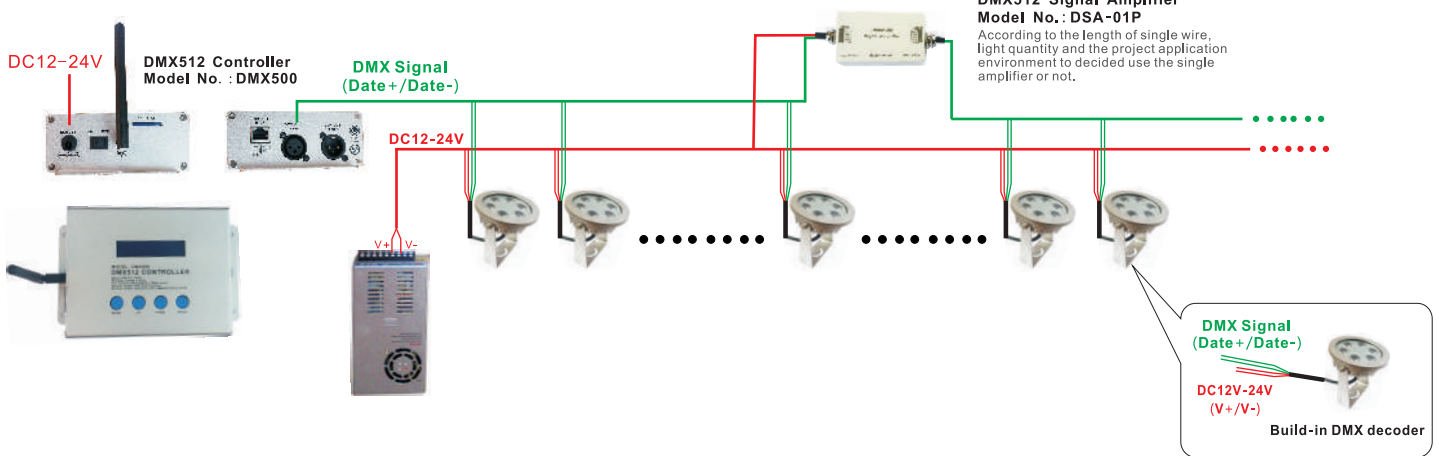
# Signal Amplifier

Item Code: 88607  
Model No.: RS-DSA-01P

### External (3)



### DMX512 Signal Amplifier (4)



**DMX512 Signal Amplifier**  
Model No.: DSA-01P  
According to the length of single wire, light quantity and the project application environment to decided use the single amplifier or not.

DMX Signal (Date+ / Date-)  
DC12V-24V (V+ / V-)  
Build-in DMX decoder