

## ▶ FEATURES

- High efficiency light source, Epistar, Cree, Edison 1W high power led.
- High quality Aluminum lamp fixture/lamp, Beautiful appearance and reasonable waterproof structure.
- Tempered glass as cover, heat-resisting and impact resistance.
- Supplied with 1m 3wires/4wires VDE rubber cable.
- Long life, up to 45,000 hours.
- Waterproof IP65, outdoor use.
- Beam angle 10-90°.

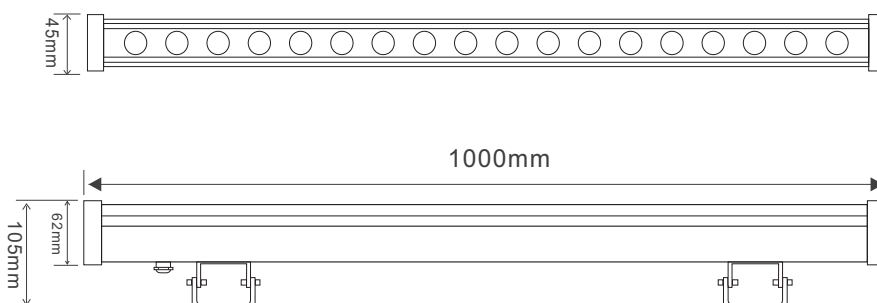


## ▶ OPTIONS ON REQUEST

- Cable lengths can be supplied according to your requirements
- Beam angle 10° 30° 45° 60° 90° 20\*40° 10\*60° 10\*80° for optional
- Working voltage DC24V, AC90-240V is available.
- RDM, DMX512 (3 channel), Auto change color can be optional.

## ▶ SPECIFICATION

<b>Body size</b>	L1000 X W45 X H62mm (H105mm with bracket)
<b>Output Power</b>	18W
<b>Luminous Flux Output</b>	80-90LM/W
<b>Rendering Index</b>	Ra>70
<b>Lens surface</b>	Mirrored, Beaded, Striped
<b>Light source</b>	EDISON or CREE
<b>IP Grade</b>	IP65
<b>Housing material</b>	Aluminium+Tempered glass cover
<b>Cable gland</b>	PG9, Nickel-coated brass
<b>Control Mode</b>	Auto color change / DMX512 controllable



## Order information

Item code	LED Q'ty	Color	Control Mode	Line Way	Working Voltage
88306.181.01	18pcs 1W LED	2700-3000K	/	V+/V- or L/N/G	DC24V AC90-230V
88306.181.02	18pcs 1W LED	4000-4500K	/	V+/V- or L/N/G	DC24V AC90-230V
88306.181.03	18pcs 1W LED	5000-5500K	/	V+/V- or L/N/G	DC24V AC90-230V
88306.181.04	18pcs 1W LED	6000-6500K	/	V+/V- or L/N/G	DC24V AC90-230V
88306.181.05	18pcs 1W LED	Red	/	V+/V- or L/N/G	DC24V AC90-230V
88306.181.06	18pcs 1W LED	Green	/	V+/V- or L/N/G	DC24V AC90-230V
88306.181.07	18pcs 1W LED	Blue	/	V+/V- or L/N/G	DC24V AC90-230V
88306.181.08	18pcs 1W LED	Yellow	/	V+/V- or L/N/G	DC24V AC90-230V
88306.181.09	18pcs 1W LED (6R+6G+6B)	RGB	DMX512 (3 channel)	V+/V-/D+/D-	DC24V
88306.181.10	18pcs 1W LED (6R+6G+6B)	RGB	Auto control	V+/V-	AC24V
88306.181.12	18pcs 1W LED (6R+6G+6B)	RGB	External Build-in current-limiting circuit	R/G/B/V+	DC24V

Please contact us freely if you have any special requirements.

## Accessories

**IP23 Switch Power Supply**

Will be chosed according to the light quantity and cable length.

**IP66 Switch Power Supply**

Will be chosed according to the light quantity and cable length.

**88612**

DMX512 CONTROLLER  
Model No. :DMX500

**88607**

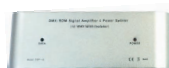
IP68 DMX/RDM signal amplifier  
Model No.: DSA-01P

**88605**

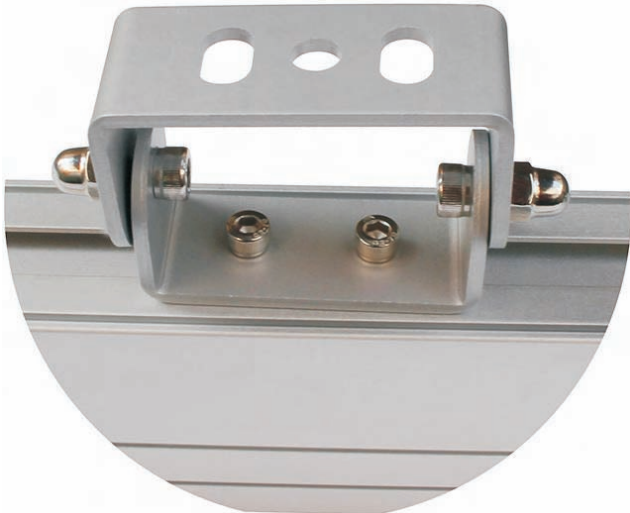
2.4G wireless DMX/RDM  
signal converter  
Model No.: DSC-24

**88606**

DMX/RDM signal amplifier  
Model No.: DSA-01

**88604**

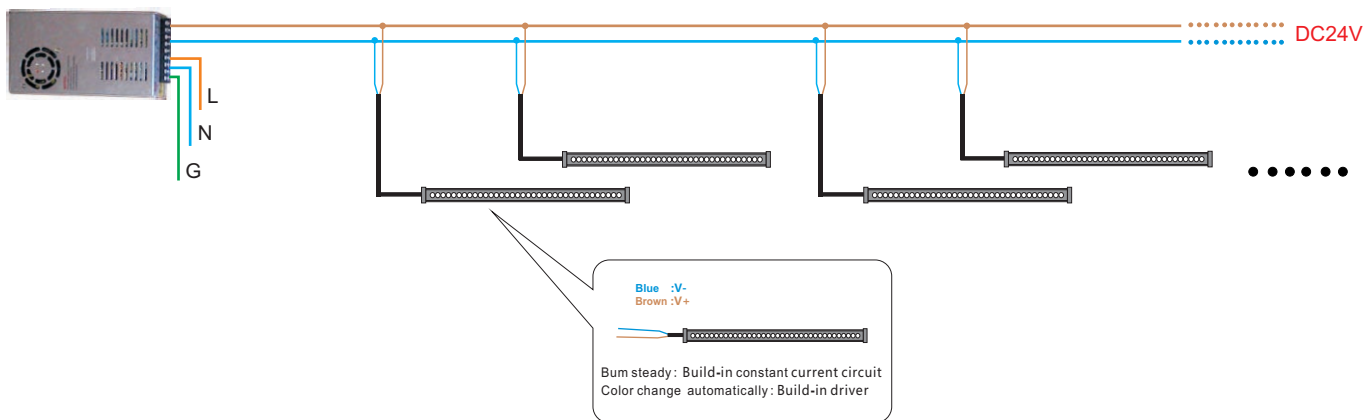
12 way DMX/RDM  
signal amplifier and power splitter  
Model No.: DSP-12



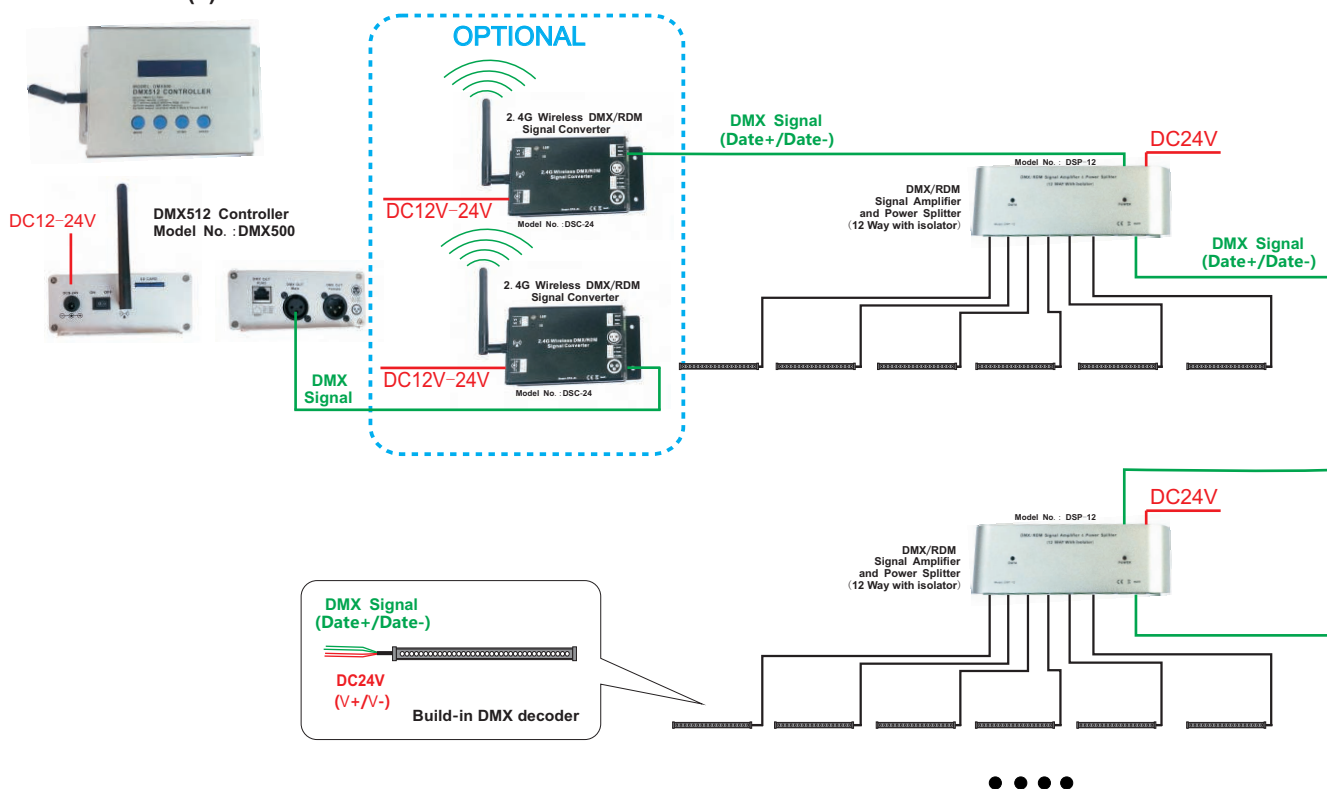
# 18W LED Wallwasher

Item Code: 88306  
Model No.: RS-WW18W-B

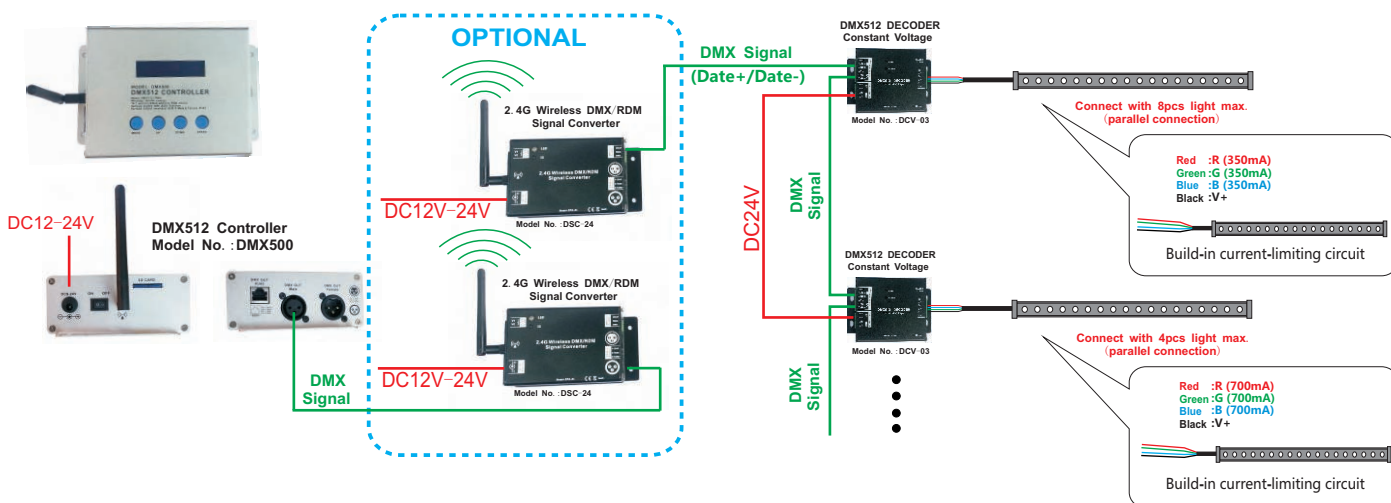
## Single color (1)



## DMX512 (2)



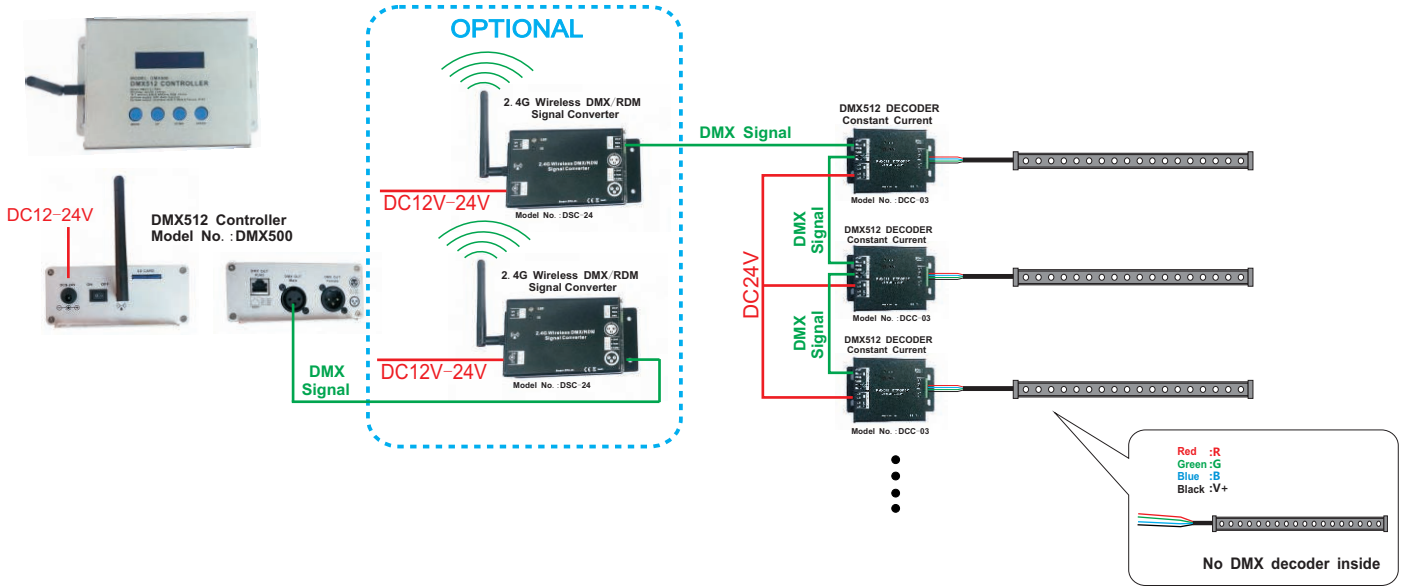
## External (3)



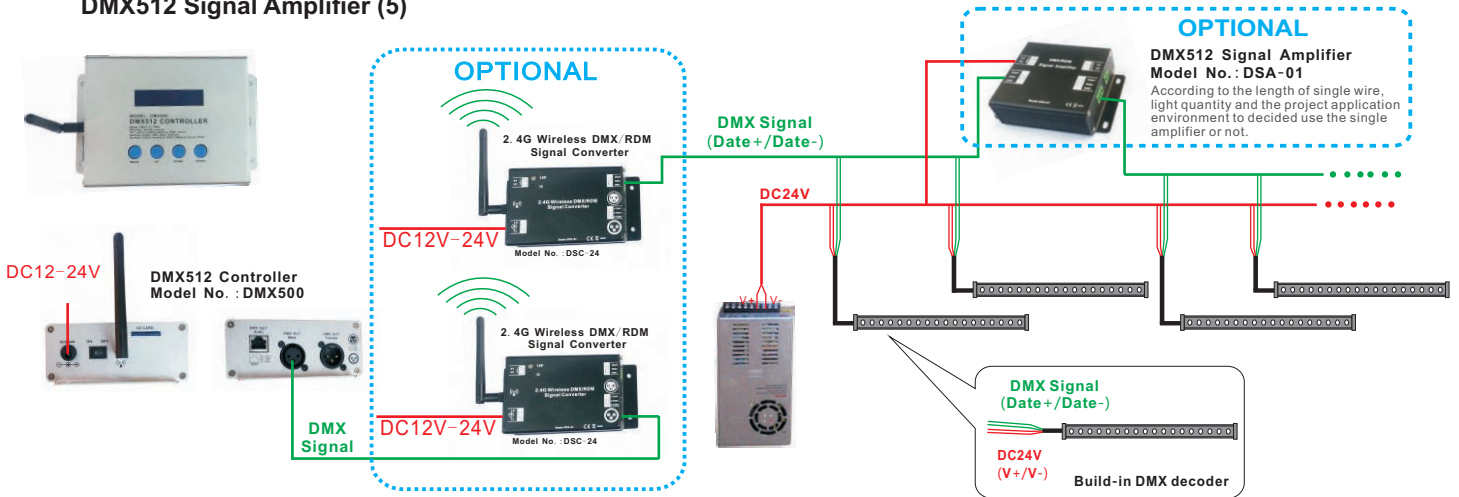
# 18W LED Wallwasher

Item Code: 88306  
Model No.: RS-WW18W-B

## External (4)



## DMX512 Signal Amplifier (5)



## Wiring Diagram (6)

