

▶ FEATURES

- High efficiency light source, Epistar Cree & Edison 1W high power led.
- High quality Aluminum lamp fixture/lamp, Beautiful appearance and reasonable waterproof structure.
- Tempered glass as cover, heat-resisting and impact resistance.
- Supplied with 1m of connecting cable.
- Cable gland PG11, nickel-plated brass.
- Long life, up to 45,000 hours.
- Waterproof IP67, outdoor use.
- Beam angle 10-90°.

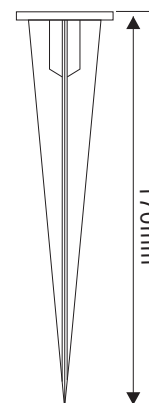
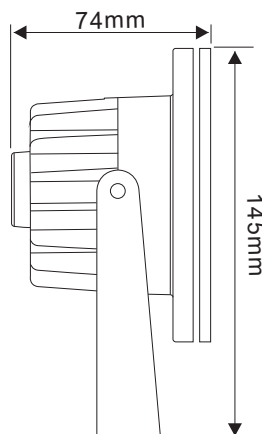
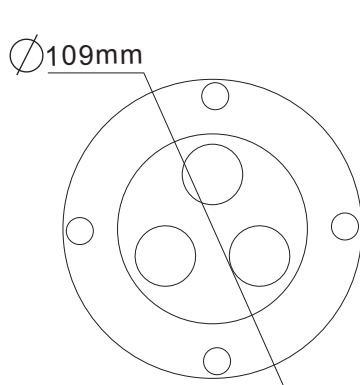
▶ OPTIONS ON REQUEST

- Cable lengths can be supplied according to your requirements
- Beam angle 10° 30° 45° 60° 90° for optional
- Working voltage AC12V, DC12V, DC24V, AC110-230V is available.
- Cree or Edison chip as you demands.
- DMX512 (3 channel), Auto change color can be optional.



▶ SPECIFICATION

| | |
|-----------------------------|---|
| Body size | D109 X H315mm |
| Output Power | 3*1W |
| Luminous Flux Output | 80-90LM/W |
| Rendering Index | Ra>70 |
| Lens | Transparent |
| Light source | Epistar & Cree |
| IP Grade | IP67 |
| Housing material | Aluminum body + tempered glass |
| Control Mode | Auto color change / DMX512 controllable |



Order information

| Item code | LED Q'ty | Color | Control Mode | Line Way | Working Voltage |
|--------------|---------------------------|------------|--|----------------|--------------------------------|
| 88426.031.01 | 3pcs 1W LED | 2700-3000K | / | V+/V- or L/N/G | AC12V DC12V AC90-230V |
| 88426.031.02 | 3pcs 1W LED | 4000-4500K | / | V+/V- or L/N/G | AC12V DC12V AC90-230V |
| 88426.031.03 | 3pcs 1W LED | 5000-5500K | / | V+/V- or L/N/G | AC12V DC12V DC24V AC90-230V |
| 88426.031.04 | 3pcs 1W LED | 6000-6500K | / | V+/V- or L/N/G | AC12V DC12V AC90-230V |
| 88426.031.05 | 3pcs 1W LED | Red | / | V+/V- or L/N/G | AC12V DC12V AC90-230V |
| 88426.031.06 | 3pcs 1W LED | Green | / | V+/V- or L/N/G | AC12V DC12V AC90-230V |
| 88426.031.07 | 3pcs 1W LED | Blue | / | V+/V- or L/N/G | AC12V DC12V AC90-230V |
| 88426.031.08 | 3pcs 1W LED | Yellow | / | V+/V- or L/N/G | AC12V DC12V AC90-230V |
| 88426.031.09 | 3pcs 1W LED (1R+1G+1B) | RGB | DMX512 3 channel | V+/V-/D+/D- | AC12V DC12V |
| 88426.031.10 | 3pcs 1W LED (1R+1G+1B) | RGB | Auto control | V+/V- | AC12V DC12V |
| 88426.031.12 | 3pcs 1W LED (1R+1G+1B) | RGB | External Build-in current-limiting circuit | R/G/B/V+ | DC12V |

Please contact us freely if you have any special requirements.

Accessories



93000023

T type IP68 quick connector suitable for 6.8-10mm Ø cables max. 3 x 2.5mm² or 5 x 2.5mm²



93000024

IP68 quick connector suitable for 6.8-10mm Ø cables max. 3 x 2.5mm²



93000025

IP68 quick connector suitable for 8-12mm Ø cables max. 5 x 2.5mm²



IP23 Switch Power Supply

Will be chosed according to the light quantity and cable length.



IP66 Switch Power Supply

Will be chosed according to the light quantity and cable length.



88612

DMX512 CONTROLLER
Model No. : DMX500



88605

2.4G wireless DMX/RDM signal converter
Model No.:DSC-24



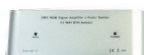
88606

DMX/RDM signal amplifier
Model No.:DSA-01



88607

IP68 DMX/RDM signal amplifier
Model No.:DSA-01P



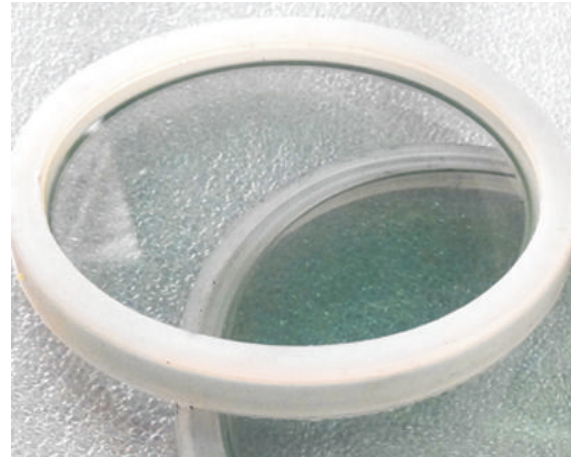
88604

12 way DMX/RDM signal amplifier and power splitter
Model No.:DSP-12



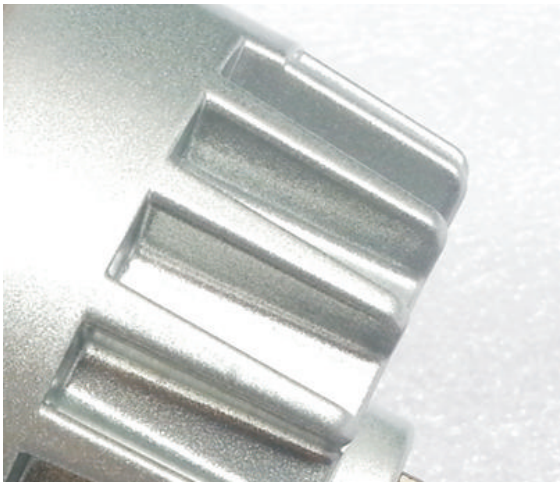
Waterproof circle

Precision silicone pad, solid epoxy resin sealing, multiple waterproof design, to ensure having a good waterproof effect in any cases.



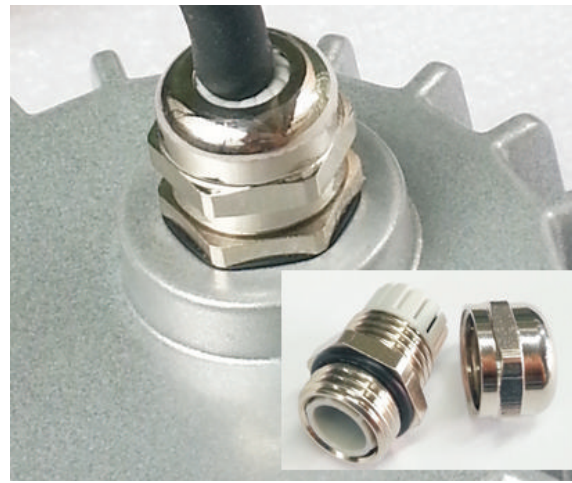
Tempered glass

Thickened tempered glass, designed and manufactured based on optical principles, nearly 100% light transmittance, explosion-proof, impact resistance, abrasion resistance, and led chip protection.



The radiator

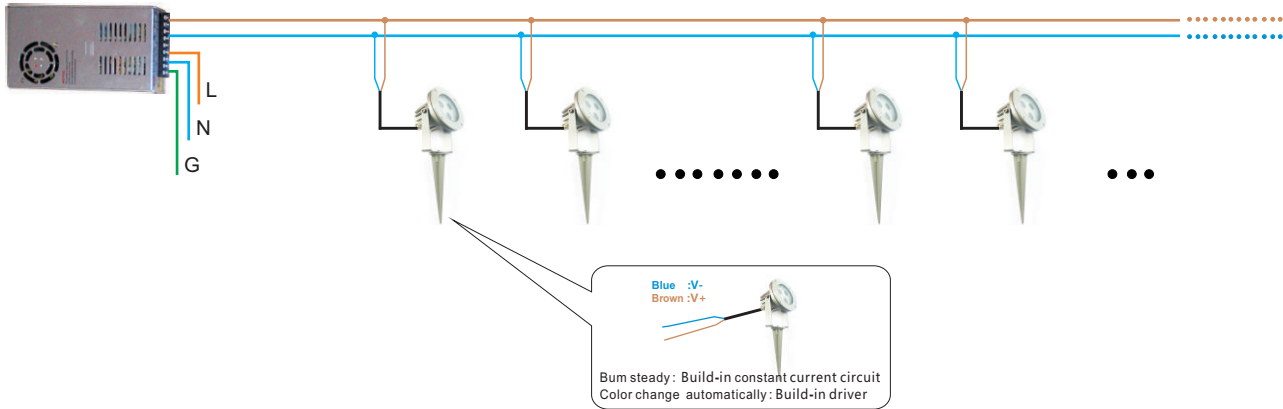
Adopting the integration of aluminum radiator and thicken radiator, sufficient material to use, beautiful appearance, super performance for conductivity, perfect solution for the heat-dispersing of lamp body, keeping a very long lifespan for the light



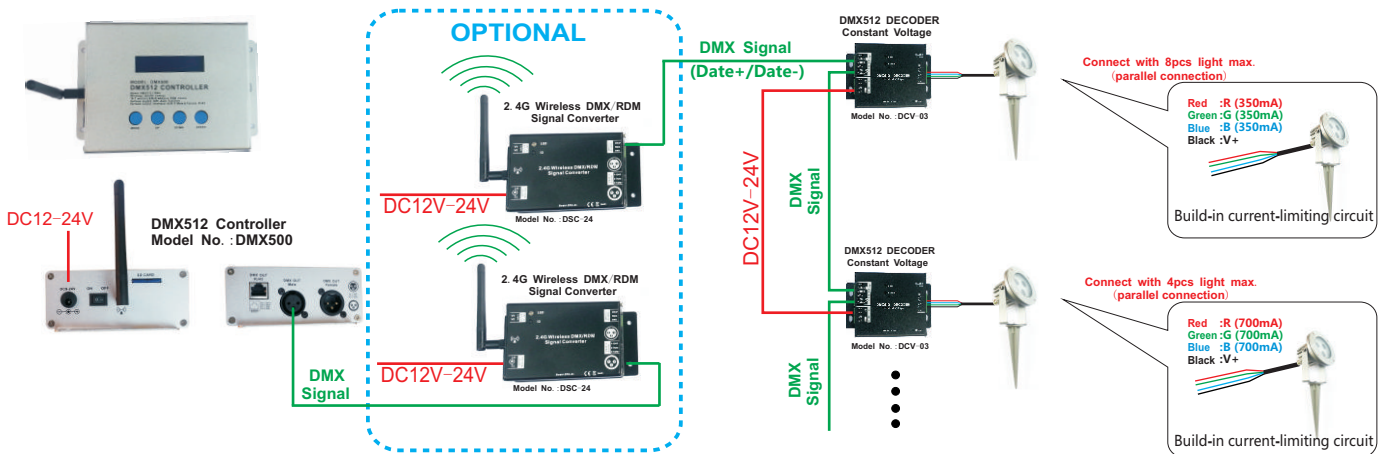
Tempered glass

Adopting high quality rolling border waterproof circle to design the wire entrance (PG11 nickel-plate brass), pour glue for inner head, achieving the multiple waterproof effect, protecting the light from being oxidized, being immune of outer water entering, it belongs to the most advanced PG head of Ip68.

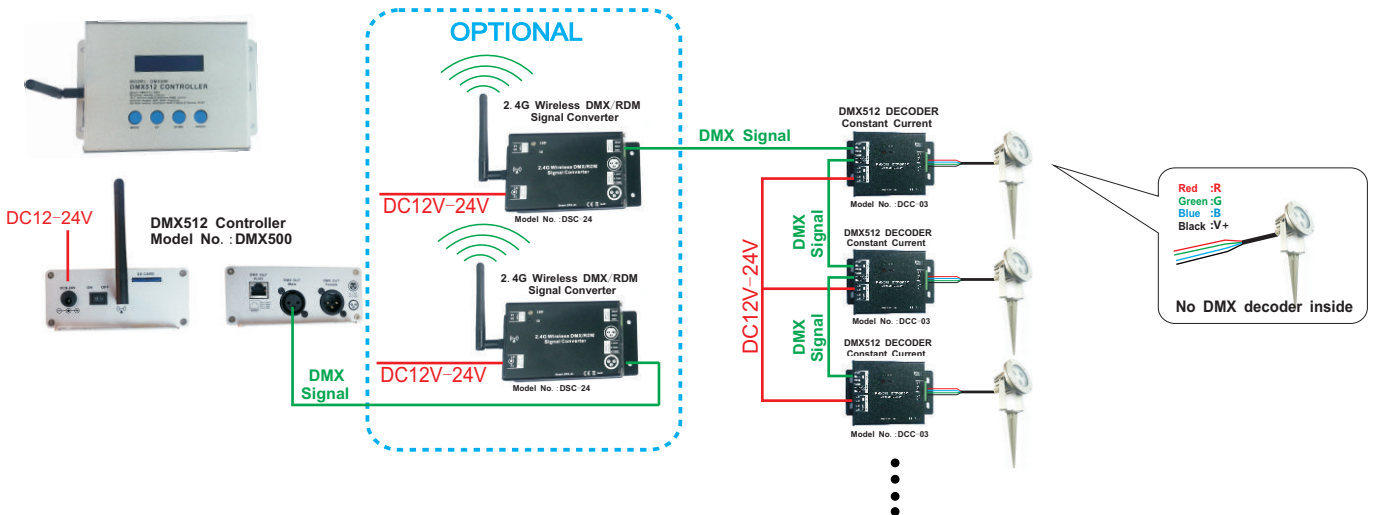
Single color (1)



External (2)



External (3)



Wiring Diagram (4)

