

▶ FEATURES

- High efficiency light source, Cree & Edison 3W high power led.
- High quality Stainless steel 316 lamp fixture/lamp, Beautiful appearance and reasonable waterproof structure.
- Tempered glass as cover, heat-resisting and impact resistance.
- Supplied with 1.5m 3wires/5wires VDE rubber cable or UL rubber cable.
- Long life, up to 45,000 hours.
- Waterproof IP68, outdoor use.
- Beam angle 10-90°.

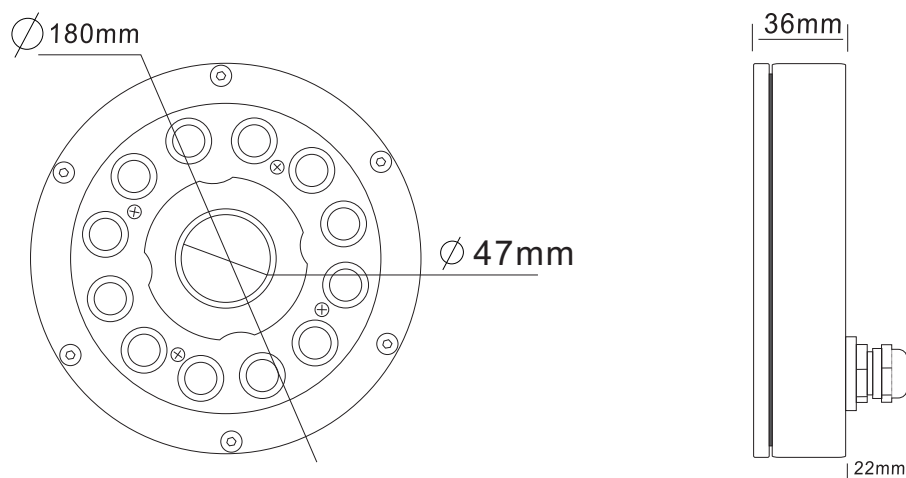
▶ OPTIONS ON REQUEST

- Cable lengths can be supplied according to your requirements
- Beam angle 10° 30° 60° 90° for optional
- Working voltage AC12V, DC12V, DC24V is available
- 316L or 316Ti is optional
- RDM, DMX512 (3 channel), DMX512 (4 channel).



▶ SPECIFICATION

Body size	D180 X H36mm
Output Power	36W
Luminous Flux Output	80-90LM/W
Rendering Index	Ra>70
Lens surface	Mirrored, Beaded, Striped
Light source	EDISON or CREE
IP Grade	IP68
Housing material	Stainless steel 316 (316L or 316Ti is optional)
Cable gland	PG13.5, Stainless steel 316
Control Mode	Auto color change / DMX512 controllable



Order information

Item code	LED Q'ty	Color	Control Mode	Line Way	Working Voltage
88104.123.01	12pcs 3W LED	2700-3000K	/	V+/V-	AC12V DC12V DC24V
88104.123.02	12pcs 3W LED	4000-4500K	/	V+/V-	AC12V DC12V DC24V
88104.123.03	12pcs 3W LED	5000-5500K	/	V+/V-	AC12V DC12V DC24V
88104.123.04	12pcs 3W LED	6000-6500K	/	V+/V-	AC12V DC12V DC24V
88104.123.05	12pcs 3W LED	Red	/	V+/V-	AC12V DC12V DC24V
88104.123.06	12pcs 3W LED	Green	/	V+/V-	AC12V DC12V DC24V
88104.123.07	12pcs 3W LED	Blue	/	V+/V-	AC12V DC12V DC24V
88104.123.08	12pcs 3W LED	Yellow	/	V+/V-	AC12V DC12V DC24V
88104.123.09	12pcs 3W LED (4R+4G+4B)	RGB	DMX512 (3 channel)	V+/V-/D+/D-/GND	AC12V DC12V DC24V
88104.123.10	12pcs 3W LED (4R+4G+4B)	RGB	Auto control	V+/V-	/
88104.123.12	12pcs 3W LED (4R+4G+4B)	RGB	External Build-in current-limiting circuit	R/G/B/V+	DC12V DC24V

Please contact us freely if you have any special requirements.

Accessories



93000023

T type IP68 quick connector suitable for 6.8-10mm Ø cables



93000024

IP68 quick connector suitable for 6.8-10mm Ø cables



93000025

IP68 quick connector suitable for 8-12mm Ø cables



IP23 Switch Power Supply

Will be chosed according to the light quantity and cable length.



IP66 Switch Power Supply

Will be chosed according to the light quantity and cable length.



88612

DMX512 CONTROLLER Model No. : DMX500



88605

2. 4G wireless DMX/RDM signal converter Model No.:DSC-24



88606

DMX/RDM signal amplifier Model No.:DSA-01



88607

IP68 DMX/RDM signal amplifier Model No.:DSA-01P



88604

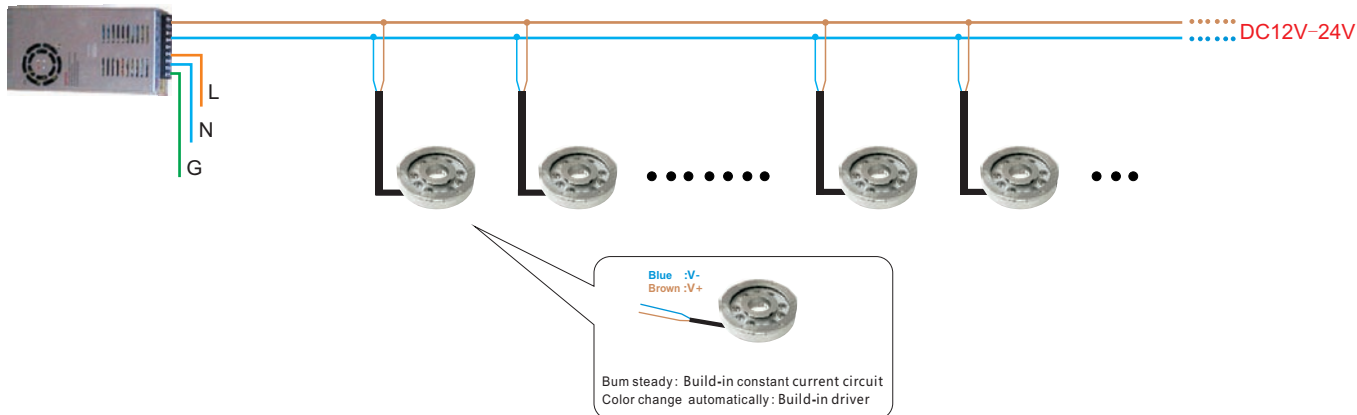
12 way DMX/RDM signal amplifier and power splitter Model No.:DSP-12



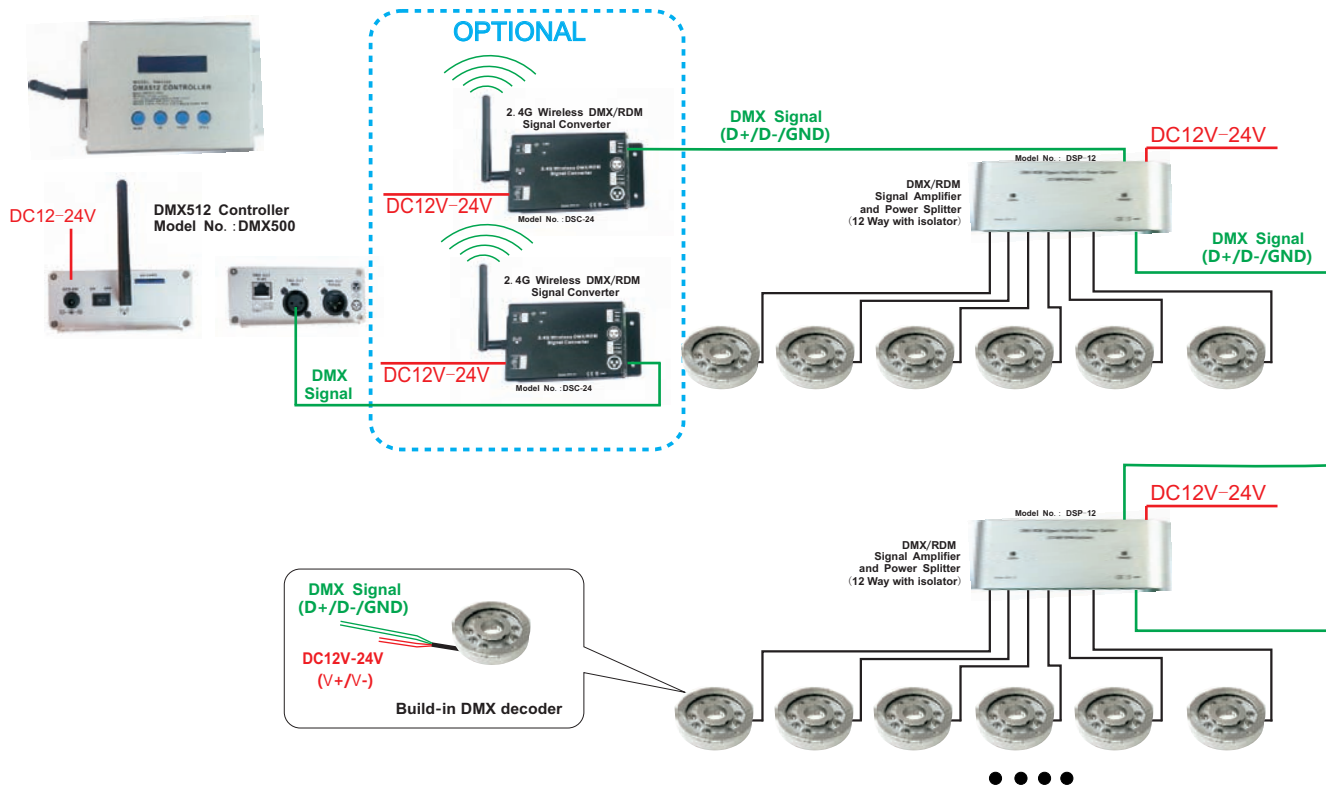
36W LED Fountain

Item Code: 88104
Model No.: RS-FT36W316X

Single color (1)

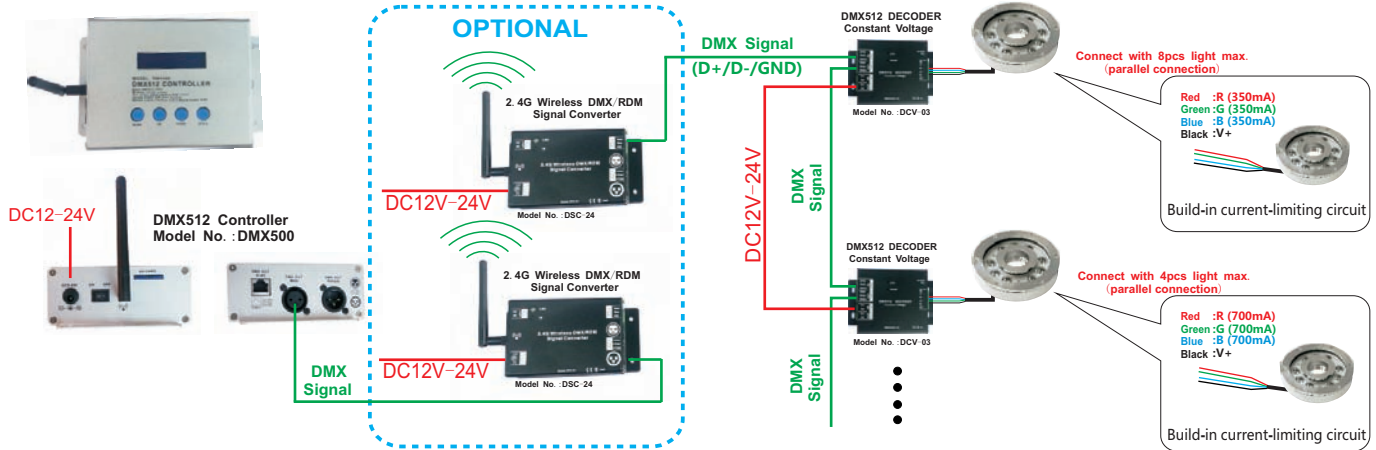


DMX512 (2)

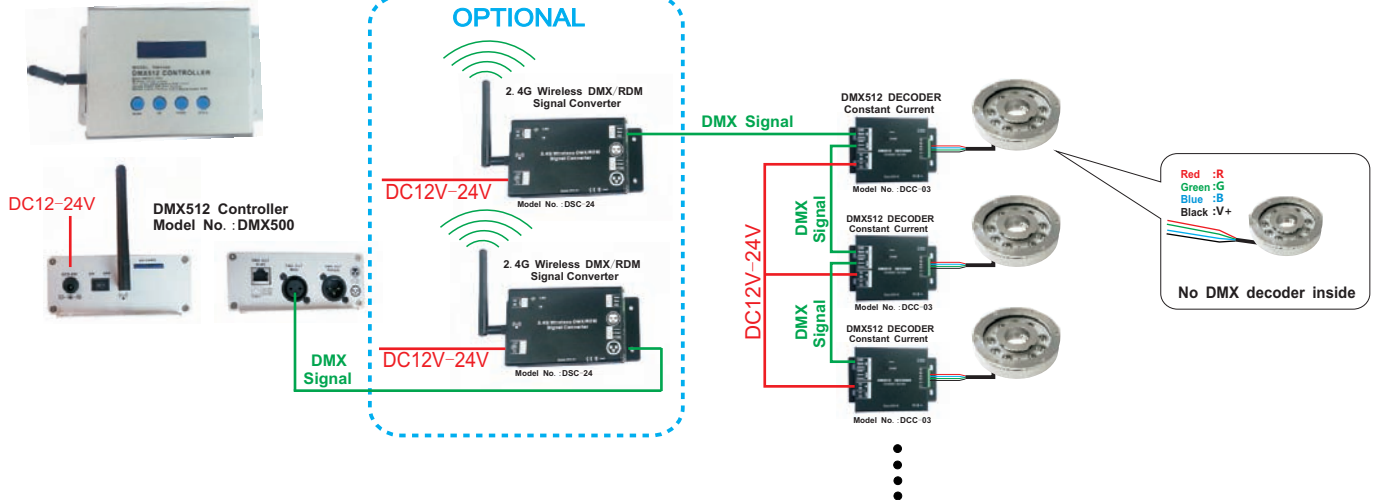


36W LED Fountain

External (3)



External (4)



DMX512 Signal Amplifier (5)

